



Floor Springs

**DORMA**

**BTS 80**

**BTS 75 V**

## Universal application, individual functions and assured quality

Whether standard, narrow or wide, whether LH, RH, or single or double action – DORMA BTS 80 and BTS 75 V door springs are designed for all types of door. A comprehensive program of accessories ensures that they can be used successfully with a wide variety of door constructions and floor coverings.

Thanks to a wide range of functions, which can be individually selected to suit different requirements, DORMA BTS 80 and BTS 75 V floor springs offer maximum reliability and quality.

Certified to ISO 9001.

### Benefits...

#### ... for the trade

- Reduced stock requirements because of separate, interchangeable spindles.
- Slim product range offering all key functions.

#### ...for the installer

- Suitable for installation with LH or RH single and double action doors.
- Interchangeable spindles enable easy adaptation to structural conditions – even when retrofitted.

#### ...for the architect/specifier

- Concealed installation for maximum visual elegance
- All essential functions provided
- Proven, robust design capable of withstanding leaf weights of up to 300 kg (BTS 80).

#### ...for the user

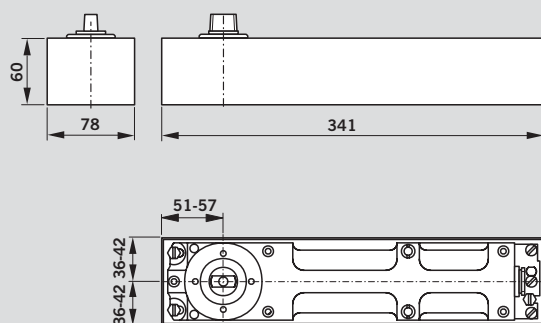
- Constant, temperature-independent closing cycle.
- Highly efficient mechanism gives maximum user convenience.

Data and features		BTS 80		BTS 75 V	
Spring strength (EN)		3	4	6	1-4
Spring strength adjustment		-	-	-	●
Standard and external doors <sup>1)</sup>	≤ 950 mm	●	-	-	-
	≤ 1100 mm	-	●	-	●
	≤ 1400 mm	-	-	●	-
Fire and smoke check doors		-	-	-	●
Max. leaf weight (kg)		300		120	
Non-handed, suitable for single and double action doors			●		●
Closing speed adjustable by valve	175° – 0°		●		-
	175° – 15°		-		●
	15° – 0°		-		●
Backcheck, mechanical			●		●
Delayed action adjustable by valve (selectable alternative to the hold-open feature)			●		-
Hold-open	Adjustable		●		-
	Fixed 90°		-		●
	Fixed 105°		-		●
Coverplate secured to	cement box		●		●
	floor spring		-		-
Weight in kg		7.1		3.0	
Dimensions in mm	Length	341		285	
	Width	78		82	
	Height	60		50	
Floor spring tested to EN 1154		●		●	
CE marking for building products		In preparation			

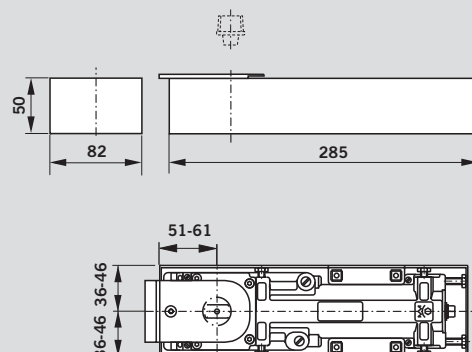
● yes – no

<sup>1)</sup> For applications involving particularly high or heavy loads, and doors which have to close against wind or draught conditions, the next larger spring strength should be selected.

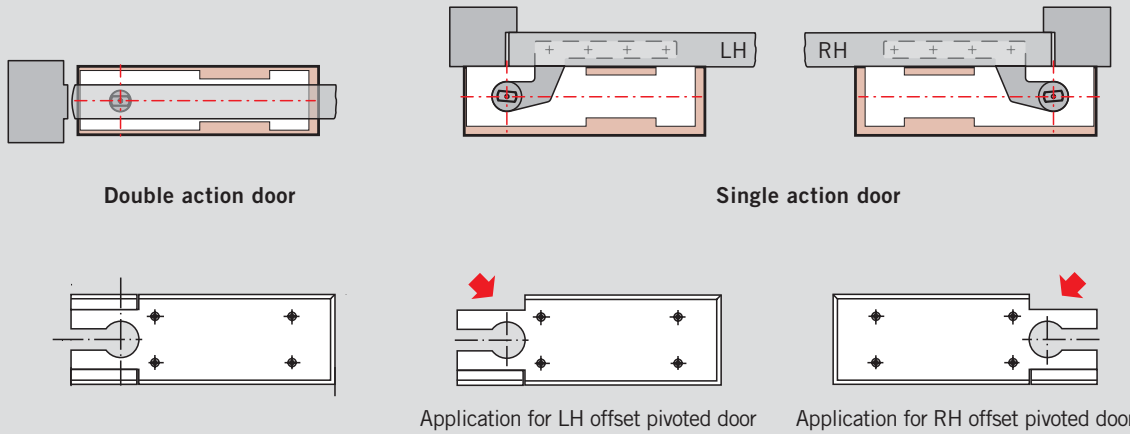
### BTS 80



### BTS 75 V



## Application and Installation

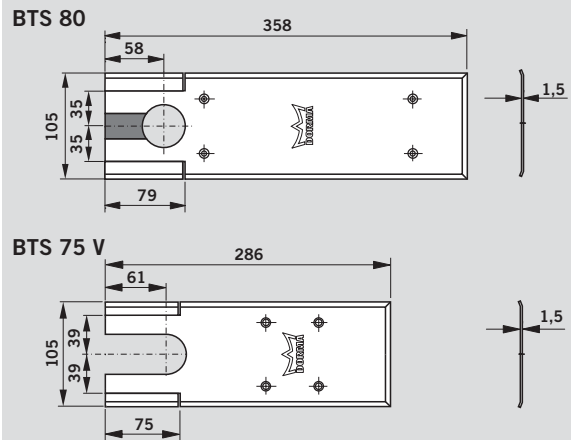


## Accessories

### Universal cover plate

Adaptable to right or left hand single action applications by simply snapping off the appropriate pre-blanked corner sections. For double action doors, the corner sections remain in place.

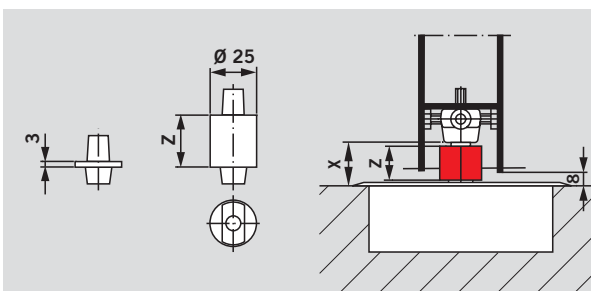
The universal cover plate is available in stainless steel or satin brass (material thickness 1.5 mm).



### Spindles

A range of interchangeable spindles is available to provide greater floor clearance if required (e.g. doors with thresholds, carpeted floors etc).

Special spindles available on application: e.g. with flat face profile and 3° offset or square section; spindles for non-DORMA-specific accessories are also available.










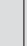
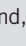




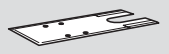


Spindle Extension = Dimension "X" – 8 mm)  
(Door Clearance) Z – 3mm

### DORMA 2300 sealing compound

For filling cavities between the floor spring body and the cement box to protect against moisture penetration.

Information about other accessories such as **door straps and top centres** can be found in the "Accessories for DORMA BTS Floor Springs" leaflet

Standard equipment and accessories															
BTS 80 floor spring 	BTS 75 V floor spring 	Extended spindles (extension in mm)													2300 sealing compound, 0.5 kg  45090059
															
		45200401	45200402	45200403	45200404	45200419	45200405	45200406	45200407	45200414	45200408	45200409	45200410	45200411	45200412
Including cement box and standard spindle															
EN 3 80120000		●	#	#	#	#	#	#	#	#	#	#	#	#	#
EN 4 80110000		●	#	#	#	#	#	#	#	#	#	#	#	#	#
EN 6 80130000		●	#	#	#	#	#	#	#	#	#	#	#	#	#
Including cement box without spindle															
EN 3 80120001	EN 1 – 4 61801001	#	#	#	#	#	#	#	#	#	#	#	#	#	#
EN 4 80110001	EN 1 – 4 with hold-open at 90° 61801201	#	#	#	#	#	#	#	#	#	#	#	#	#	#
EN 6 80130001	EN 1 – 4 with hold-open at 105° 61801301	#	#	#	#	#	#	#	#	#	#	#	#	#	#
Universal cover plate															
															
46700000	46700060	Stainless steel													
46700100	46700160	Satin brass													

● = Floor spring with spindle # = Accessories

### BTS 80 specification text

Universal non-handed floor spring conforming to DIN EN 1154 for single and double action doors up to max. 300 kg leaf weight. With adjustable closing speed and closing action from approx. 175°, with hydraulically fully controlled closing cycle and backcheck. With integral pressure compensation feature for temperature-independent hold-open between 75° and 175° (removable). With adjustable hold-open start point and delayed action (end of delayed action range adjustable between 75° and 105°). Including cement box.

- Size**
- EN 3
  - EN 4
  - EN 6
- Accessories**
- Spindle
    - standard
    - ... mm extension
    - special model ...
  - Universal cover plate (1.5 mm thick)
    - stainless steel
    - satin brass
  - Sealing compound
- Make:** DORMA BTS 80

### DORMA BTS 75 V specification text

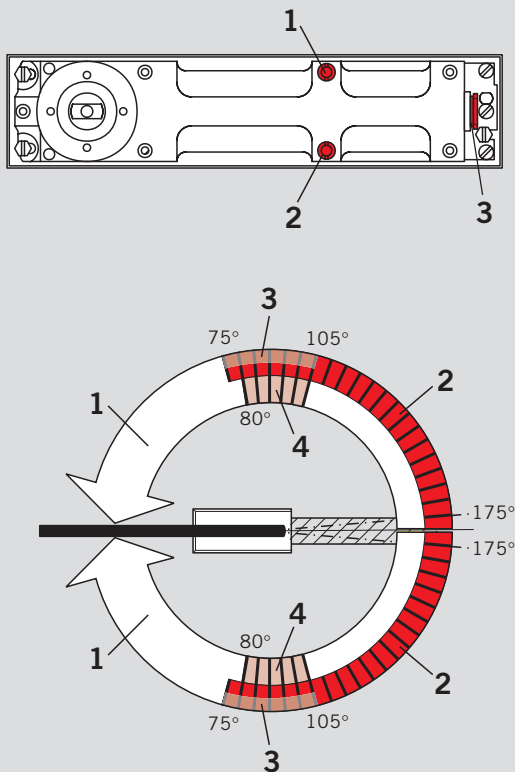
Universal floor spring conforming to DIN EN 1154, non-handed unit suitable for LH and RH single and double action doors up to 120 kg leaf weight, with adjustable spring strength (size EN 1 – 4) and closing speed, with closing action operational from approx. 175°. Featuring hydraulically fully controlled closing cycle and backcheck. Including cement box, without spindle.

**Models**

- Fixed hold-open at 90°
- Fixed hold-open at 105°

- Accessories**
- Spindle
    - standard
    - ... mm extension
    - special design...
  - Universal cover plate (1.5 mm thick)
    - stainless steel
    - satin brass
  - Sealing compound
- Make:** DORMA BTS 75 V

### Standard and optional functions of the BTS 80



- 1 Adjustable closing speed
- 2 Hold-open range or delayed action range

- 3 Adjustment range – point at which hold-open begins, or end of delayed action range (approx. 75° to 105°).
- 4 Mechanical backcheck (from approx. 80°)

#### Hydraulic hold-open

The integrated hold-open function allows the door to be held open at any angle between 75° and 175°. The angle at which the hold-open function begins can be adjusted in the range of 75° to 105°.

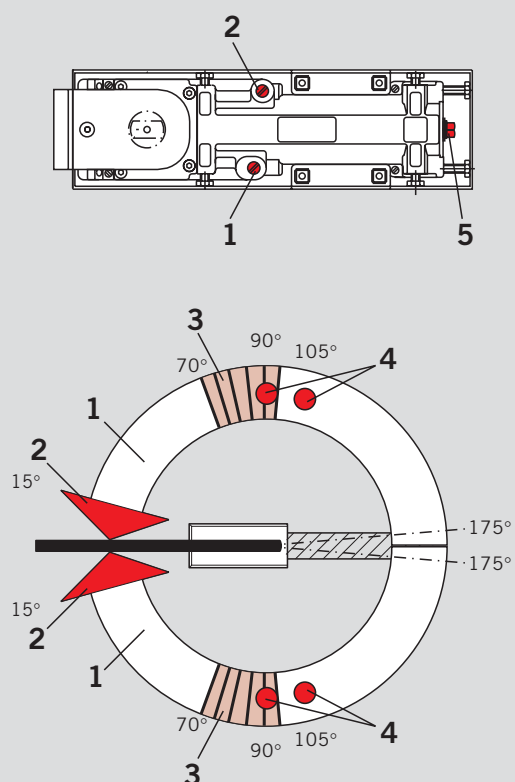
#### Delayed action

The delayed action function slows the door closing speed, thereby allowing disabled persons, mothers with pushchairs, staff with trolleys or hospital gurneys etc. to pass through the door without problem.

#### Backcheck

The integrated mechanical backcheck function protects the wall and door from damage caused by excessively vigorous opening.

### Standard and optional functions of the BTS 75 V



- 1 Adjustable closing speed in the range 175° – 15°.
- 2 Adjustable closing speed in the range 15° – 0°.

- 3 Mechanical backcheck (from approx. 70°).
- 4 Fixed hold-open at 90° or 105° (option).
- 5 Adjustable spring strength (EN 1–4).

#### Closing speed

With two independently adjustable closing ranges (175° – 15° and 15° – 0°) the DORMA BTS 75 V is ideally adaptable to different structural conditions.

#### Fixed hold-open (option)

With the fixed hold-open function the door can be held open at an angle of 90° or 105°, depending on model.

**Not suitable for use on Fire doors.**

#### Backcheck

The integrated mechanical backcheck function protects the wall and door from damage caused by excessively vigorous opening.



The DORMA BTS 75 V is CERTIFIRE approved (Certificate No. 127) for door types ITT 120.

## Division Door Control worldwide

[www.dorma.com](http://www.dorma.com)

### Central Europe

DORMA GmbH + Co. KG  
Breckerfelder Str. 42-48  
D-58256 Ennepetal  
Phone: +49 23 33/793-0  
Fax: +49 23 33/793-495

### Scanbalt

DORMA Danmark A/S  
Sindalvej 6 - 8  
DK-2610 Rødovre  
Phone: +45 44/54 30 00  
Fax: +45 44/94 95 04

### Australia

DORMA Door Controls Pty. Ltd.  
52 Abbott Road  
Hallam/Victoria 3803  
Australia  
Phone: +61 3/97 96 35 55  
Fax: +61 3/97 96 39 55

### South Africa

DORMA Door Controls (Pty.) Ltd.  
Kings Court  
4A Mineral Crescent  
ZA-2000 Crown/Gauteng  
Johannesburg  
Phone: +27 11/8 30 02 80  
Fax: +27 11/8 30 02 91

### Emerging Markets

DORMA GmbH + Co. KG  
Breckerfelder Str. 42-48  
D-58256 Ennepetal  
Phone: +49 23 33/793-0  
Fax: +49 23 33/793-495

### South America

DORMA Sistemas de Controles  
para Portas Ltda.  
Av. Piracema, 1400  
Centro Empresarial Tambore  
CEP 06400 Barueri/  
São Paulo, Brasil  
Phone: +55 11/41 91 32 44  
Fax: +55 11/41 91 21 93

### Far East

DORMA Door Controls Pte. Ltd.  
No. 2 Jalan Terusan, Jurong  
Singapore 619285  
Phone: +65 62 68/76 33  
Fax: +65 62 65/79 14

### South-East Europe

DORMA AUSTRIA GmbH  
Pebering Strass 22  
A-5301 Eugendorf  
Phone: +43 62 25/2 84 88  
Fax: +43 62 25/2 84 91

### France

DORMA France S.A.S  
Europarc  
42/44, rue Eugène Dupuis  
F-94046 Creteil Cedex  
Phone: +33 1/41 94 24 00  
Fax: +33 1/41 94 24 01

### South Europe

DORMA Italiana S.r.l.  
Via. A. Canova 44/46  
I-20035 Lissone (MI)  
Phone: +39 039/24 40 31  
Fax: +39 039/24 40 33 10

### Gulf

DORMA Gulf Door Controls FZE  
Jebel Ali Free Zone,  
Roundabout 8,  
Unit VC 02  
Dubai, United Arab Emirates  
Phone: +971 48/83 90 14  
Fax: +971 48/83 90 15

### DORMA Ibérica, S.A.

Camino San Martin de la Vega, 4  
E-28500 Arganda del Rey  
(Madrid)  
Phone: +34 91/8 75 78 50  
Fax: +34 91/8 75 78 81

### North America

DORMA Architectural Hardware  
DORMA Drive, Drawer AC  
Reamstown, PA 17567  
Phone: +1-800-523-8483  
Fax: +1-800-274-9724

### UK/Ireland

DORMA UK Ltd.  
Door Controls Division  
Wilbury Way  
GB-Hitchin  
Hertfordshire SG4 0AB  
Phone: +44 14 62/47 76 00  
Fax: +44 14 62/47 76 01

Door Control

Automatic

Glass  
Fittings and  
Accessories

Security/  
Time and  
Access (STA)

Movable  
Walls



4 021226 1287606